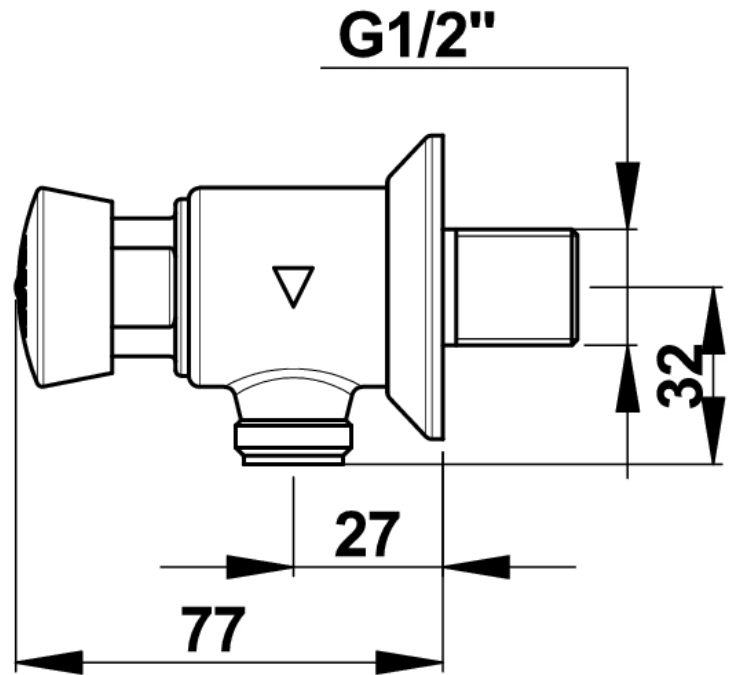


**Range :** Self-Closing urinal valves

**Ref :** 31707 - PRESTO 12A - Water inlet in corner



**> Working pressure :**

- 1 to 5 bar

**> Flow :**

- 9 l/min at 3 bar - 4-position flow adjustment device
- Anti-water-hammering design

**> Flow time :**

- 6 seconds (± 2 sec.)

**> Hydraulic supply :**

- Rear water inlet
- M G 1/2" (15x21) Inlet and outlet in corner

**> Delivered with :**

- 1 Flat gasket and 1 Union nut
- 1 Nut for 12x14 tube
- 1 Loose wall flange
- Instruction manual

**> Standards & approvals :**

- Brass body in accordance with EN 1982, EN 12164, EN 12165
- Molded chrome-plated body in accordance with EN 12540
- 200-hour neutral salt spray resistant (NSS) in accordance with ISO 9227

This document is not contractual. We reserve the right to modify the characteristics of our products without notice in advance. All our brands and models are registered trade marks.

